

AFTERCARE INSTRUCTIONS

CISTERN

Do not introduce caustic chemical substances (e.g. containing chlorine compounds or similar) as these may damage the valve components and cause failure.

SEAT

When using chlorine-based cleaners to clean the pan bowl, ensure that these do not come into contact with the seat. Keep the seat and cover in an upright position during cleaning to avoid discolouration of surfaces or rusting of metal parts.

CUSTOMER SERVICE

t:+44 208 686 5100

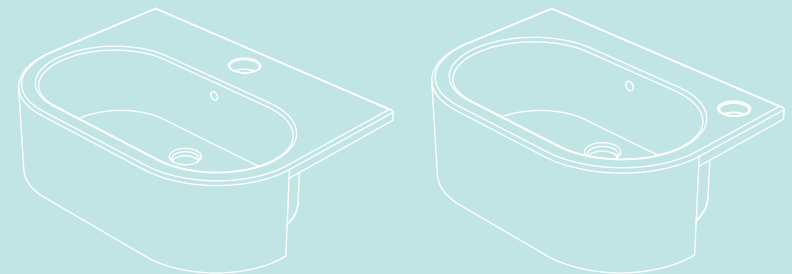
e: sales@saneux.com

Iain Stewart Centre, Gatwick,
Beehive Ring Road, RH6 0PB

www.saneux.com

UNI

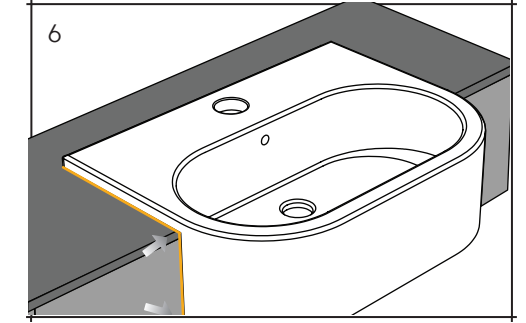
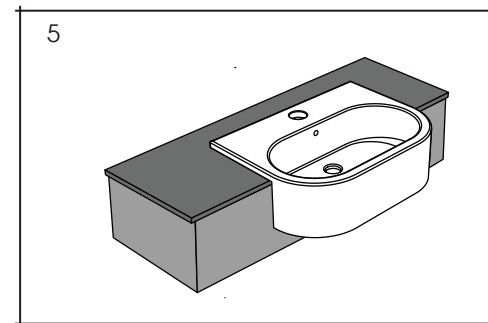
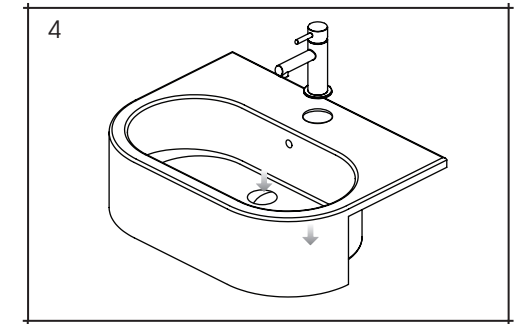
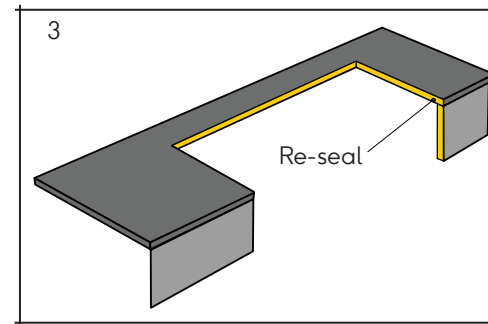
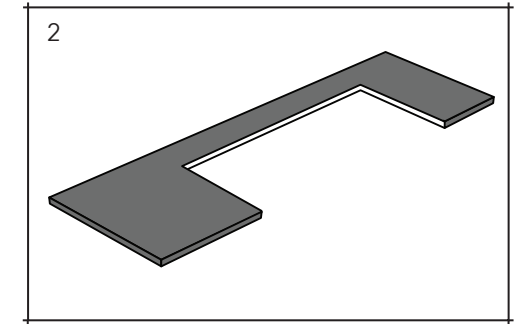
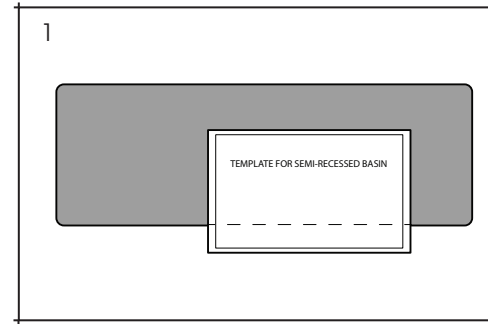
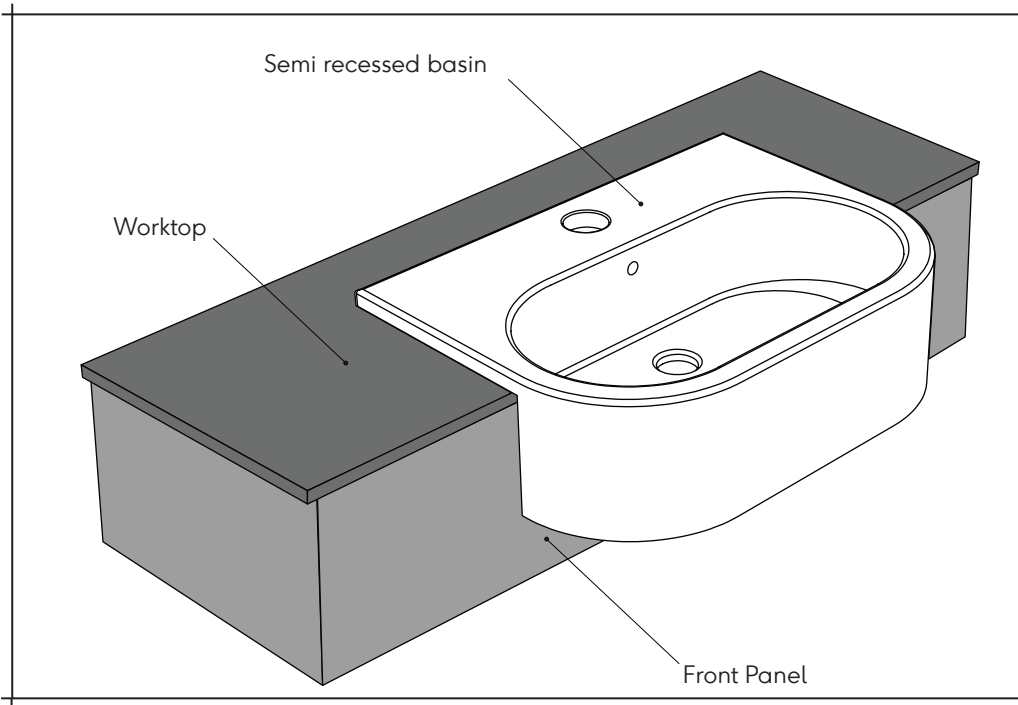
INSTALLATION INSTRUCTIONS



SEMI-RECESSED WASH BASIN

66001 - 66002

saneux



Prior to installation make sure that any worktop cut surfaces are re-sealed using an appropriate waterproof sealant.

1. Position the cutting template and mark out the cut line on the worktop and front panel.

2. Cut the worktop and front panel following the template. It is recommended that the top is cut with the finished side face

3. Re-seal all cut edges using a waterproof sealant, varnish or oil based paint.

4. It is recommended to fit the basin waste and taps before securing the basin to the worktop.

5. Re-fit the worktop and front panel on the unit and place the basin on the worktop.

6. Seal the surfaces between basin, worktop and front panel with a silicone sealant in order to prevent water damaging the worktop and unit below. Allow the sealant to dry for 24h.

7. Connect plumbing services as necessary.